

mimio[™]
directPrint[™]

user's guide

mimio[™]

Think it. Share it.[™]

© Copyright 2000 Virtual Ink™ Corporation, all rights reserved.

mimio and directPrint are trademarks of Virtual Ink Corporation.
Stylus Tracking Technology Patent Pending.

Velcro is a registered trademark of Velcro Industries B.V.



Warning!

Do not connect any of the directPrint cables with power ON. Make sure the power is turned OFF on the printer as well.

FCC Notice (Class B)

NOTE: This equipment has been tested and found to comply with the limits for a Class B digital device, pursuant to Part 15 of the FCC Rules. These limits are designed to provide reasonable protection against harmful interference in a residential installation. This equipment generates, uses and can radiate radio frequency energy and, if not installed and used in accordance with the instruction manual, may cause harmful interference to radio communications. However, there is no guarantee that interference will not occur in a particular installation. If this equipment does cause harmful interference to radio or television reception, which can be determined by turning the equipment off and on, the user is encouraged to try to correct the interference by one or more of the following measures:

- Reorient or relocate the receiving antenna.
- Increase the separation between the equipment and the receiver.
- Connect the equipment into an outlet on a circuit different from that to which the receiver is connected.
- Consult the dealer or an experienced radio/TV technician for help.

CAUTION: Changes or modifications to this equipment not expressly approved by the party responsible for compliance could void the user's authority to operate this equipment.



FCC Compliance Information Statement

Product Name: directPrint

Product Model Number: PIF-01

This class B device complies with Part 15 of the FCC Rules. Operation is subject to the following two conditions:

- (1) This device may not cause harmful interference, and
- (1) This device must accept any interference received, including interference that may cause undesired operation.



Declaration of Conformity

Manufacturer's Name: Virtual Ink Corporation

Manufacturer's Address: 56 Roland Street
Boston, MA 02129 U.S.A.

Declares that the product:

Product Name: directPrint
Model Number: PIF-01

Conforms to the following standards:

Safety: EN 60950:1992 +A1:1993 +A2:1993 +A3:1995 +A4:1997
+A11:1997

EN 60825-1:1994

EMC: EN 55022, Class B,
EN 50082-1, using:

EN 61000-4-2 (IEC 801-2),

EN 61000-4-3 (IEC 801-3),

EN 61000-4-4 (IEC 801-4)

The product is in conformity with the requirements of the General Product Safety Directive (92/59/EEC), the Low-Voltage Directive (73/23/EEC), the EMC Directive (89/336/EEC), the Machinery Directive (89/392/EEC), and the Product Liability Directive (85/374/EEC).

contents

introducing directPrint	7
what is directPrint?	8
directPrint package contents	9
mimio components used with directPrint	10
installing directPrint	13
installing the mimio components	14
connecting the print controller	15
connecting the directPrint adapter	16
connecting the power supply	17
using directPrint	19
writing with a mimio stylus	20
erasing with the mimio eraser	21
printing	22
using the function buttons	23
understanding the indicator lights	24
directPrint pen writing LED	25
directPrint data in memory LED	25
understanding the audio tones	26
troubleshooting	27
what if I need a longer cable?	28
what happens when I get an error on my printer?	28
my printout has a lot of stray dots on it. what are they?	28
how do I know if my printer works with directPrint?	29
index	31

chapter

1

introducing directPrint

what is directPrint?

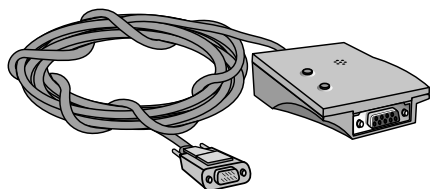
mimio directPrint is an accessory to mimio that lets you print directly from your whiteboard, without a PC or network connection. Using the mimio capture bar, styli, eraser, and directPrint, you send whiteboard data to any color inkjet printer that supports PCL 3 (Printer Command Language). PCL 3 is a printing standard from Hewlett-Packard, which defines a standard set of commands that allow communication with HP or HP-compatible printers.

The most basic use for directPrint is to capture a whiteboard drawing so you can print it out. You can capture brainstorming sessions, presentations, and instructional notes automatically without having to transcribe notes for later use. Then simply print out the information to take with you or share with the participants in the meeting.

With directPrint, you can:

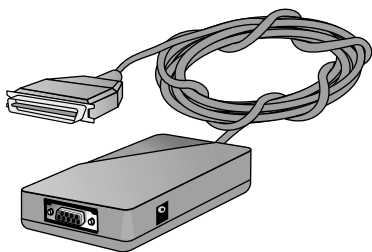
- print your whiteboard information with the touch of one button
- write using four standard marker colors — black, red, blue, green
- print in four colors using a color PCL 3 inkjet printer

directPrint package contents



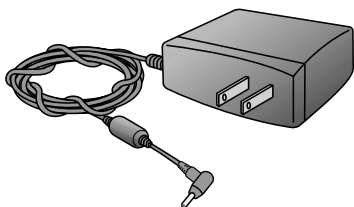
directPrint adapter

Attaches to your mimio capture bar



print controller

Connects to the adapter and your printer; contains the electronics and Velcro® strips for attaching to your printer



power supply

Connects to the print controller and plugs in to a wall outlet; supplies power for mimio and directPrint

mimio components used with directPrint



mimio capture bar

Attaches to your whiteboard and captures your writing



mounting brackets

Allows for permanent attachment of your mimio to a whiteboard (optional)



stylus set

Black, red, green, and blue holders for your dry erase markers



dry erase markers

Black, red, green, and blue markers that fit into the styli



eraser

An electronic eraser with both narrow and wide erasing pads



eraser holder

A plastic holder you can attach to your whiteboard to store the eraser

chapter 2

installing directPrint

installing the mimio components

Before you can install directPrint, you need to install several mimio components. Referring to the “getting started with mimio” booklet that came with your mimio, perform these steps:

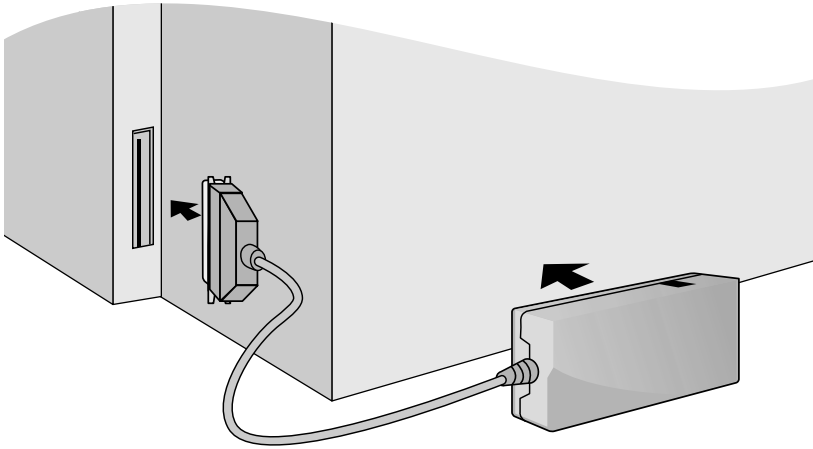
1. Attach the mimio capture bar to your whiteboard
2. Install the mounting brackets if you want to
3. Install the eraser holder if you want to
4. Insert batteries in the eraser
5. Insert batteries and markers into the 4 styli

Note — Do not use the serial cable from your mimio package. You will use the cables from the directPrint package instead.

Once you have installed the mimio components, you are ready to install directPrint.

connecting the print controller

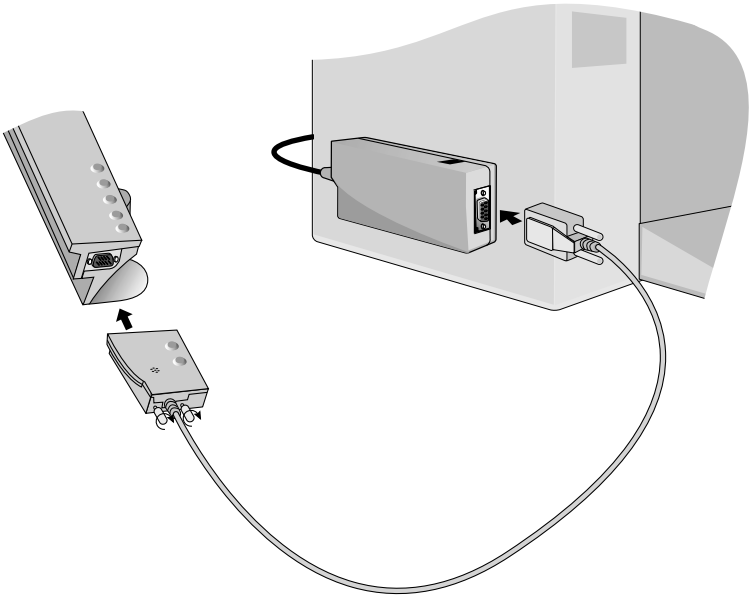
Note — Make sure your printer is turned OFF before installing directPrint.



1. Connect the cable on the print controller into the parallel port on your printer.
2. If you want to, attach the print controller to the side of your printer by removing the paper on the Velcro strips and pressing the controller to the printer.

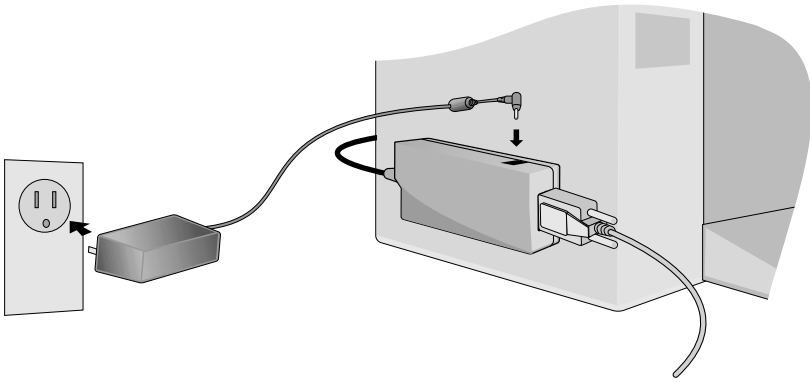
You can also set it beside the printer if you don't want to attach it.

connecting the directPrint adapter



1. Attach the directPrint adapter to the bottom of the mimio capture bar.
2. Tighten the screws by turning them clockwise.
3. Plug the cable end of the adapter into the connector on the print controller.
4. Tighten the screws by turning them clockwise.

connecting the power supply





1. Turn on your printer.
Make sure your printer has paper and is ready to print.
2. Plug the cable on the power supply into the connector on the side of the print controller.
3. Plug the other end of the power supply into a wall outlet.

You're ready to use directPrint!

chapter 3

using directPrint

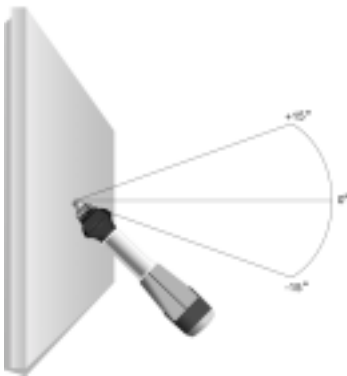
Using directPrint is simple. Just write information on your whiteboard using the mimio styli; when you want to create a paper copy of that information, press the Print Board button  on the mimio capture bar.

If you want to clear your whiteboard and create new information, press the Clear All button  on the mimio capture bar, which clears the print buffer. Then erase your whiteboard and start writing again. It's that simple!

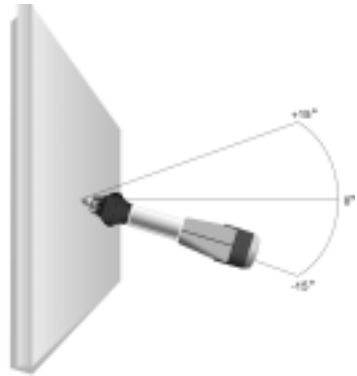
writing with a mimio stylus

To draw with a mimio stylus, press down on your whiteboard with the marker tip to start a stroke, and lift the marker tip from the board to end the stroke. You need to apply a small amount of force to activate the capture feature of a stylus; you may hear a faint buzzing sound when the stylus sends drawing information to the capture bar.

When you finish using your stylus, make sure to cap it to prevent your markers from drying out and to extend their life.



incorrect



correct

erasing with the mimio eraser

When you are working with mimio you need to use the mimio eraser in place of your regular whiteboard eraser. Your mimio eraser has two eraser pads: a narrow 1-inch eraser pad on the side of the eraser, and a wide 4-inch eraser pad on the base of the eraser.

Note — Immediately after using the Clear All function to remove the data from memory, you need to erase your entire whiteboard before continuing. In this case you may use a regular whiteboard eraser to erase the whiteboard.

To use the eraser, press either the narrow or wide eraser pad against the board and move it over the areas you want to erase. You need to use a small amount of force to activate the capture feature of the eraser; you may hear a faint buzzing sound when the stylus sends erasing information to the capture bar.

Make sure the eraser pad is pressed flat against the whiteboard surface. If the eraser is not pressed flat, it is possible to erase marker strokes from your whiteboard with the edge of the mimio eraser without actually sending eraser signals to the capture bar.




incorrect




correct

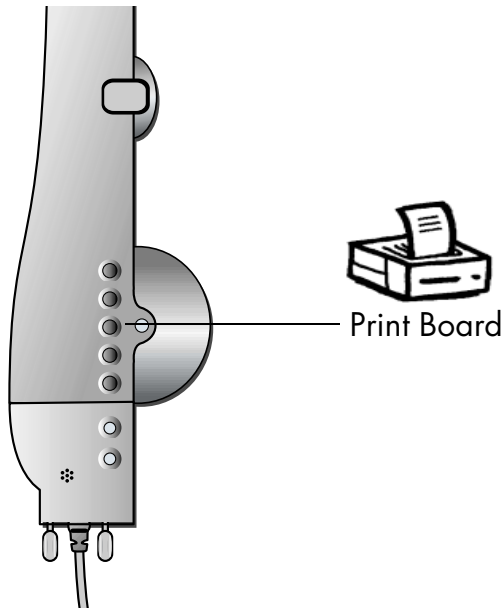
printing

Printing with directPrint is simple —when you want a printout of the contents of your whiteboard, just press the Print Board button  on the mimio capture bar. It's that easy!

directPrint prints the current data in the buffer to your printer. If you want additional copies, simply press the Print Page button as many times as you want copies.

Don't forget — When you want to clear the contents of your whiteboard and create new information, you should press the Clear All button  on the mimio capture bar. This clears all data from the print memory so you can create new information.

Note — directPrint also scales your whiteboard data to fit onto the paper. So, if you have a small amount of information on the whiteboard, you may notice that the printed copy doesn't match. This is because directPrint attempts to scale your information to a predefined board size; that way, you won't end up with tiny printing only on one corner of a page. For best results, start writing in the upper left corner of your whiteboard.



using the function buttons

The mimio capture bar has five function buttons; when using mimio directPrint, you only use two of them - Clear All and Print Board.

Function Button

Description

Clear All



Clears the print buffer so you can create new data.

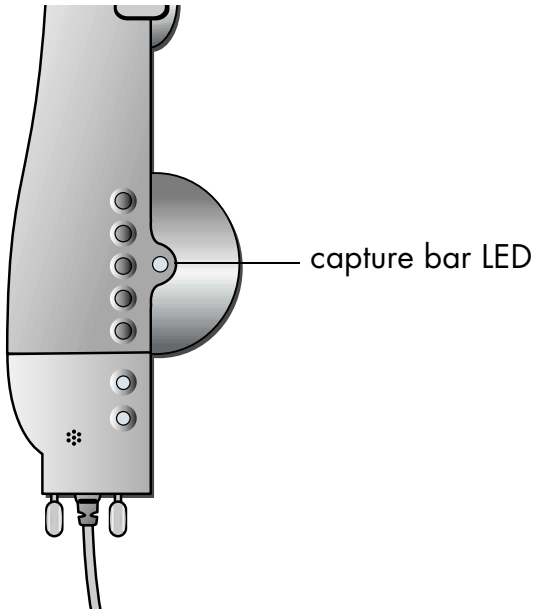
You need to erase your whiteboard after you press this button; you can use either the mimio eraser or a standard whiteboard eraser to do this.

Print Board



Prints the current contents of your whiteboard to the printer connected to directPrint.

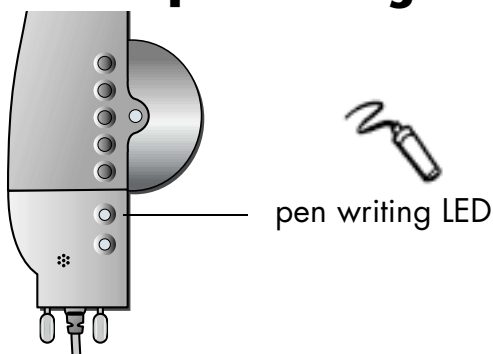
understanding the indicator lights



The mimio capture bar has an LED located next to the buttons. This LED provides an indication about the current state of directPrint as follows:

- **LED Off** — There is no power being sent to the capture bar. Make sure all cables are connected properly and that your printer is plugged in and turned on.
- **Solid Yellow** — The printer is not ready to print. Make sure that your printer is turned on and has paper loaded in the paper tray, and that the cable from the directPrint print controller to the printer is properly connected.
- **Flashing Yellow** — The current stylus battery or eraser is low. Use another pen or replace the battery in this stylus or eraser and continue working.
- **Solid Green** — The mimio cable is connected properly and directPrint is communicating with the capture bar. You are ready to work.

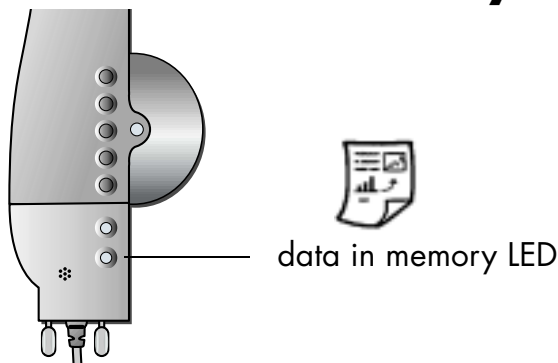
directPrint pen writing LED



This LED provides information about whether directPrint is receiving data from the pen or eraser and storing it into memory for later printing.

- **LED off** — No data is being received from the pen.
- **Solid Green** — Data is being received from the pen or eraser and being sent to memory.

directPrint data in memory LED



This LED provides information about whether any data is currently stored in the directPrint memory.

- **LED off** — There is no data in the buffer; no information is available to print.
- **Flashing Green** — directPrint is sending a page to the printer.
- **Solid Green** — The print memory contains data; this data will print when you press the Print Board button.

understanding the audio tones

The directPrint adapter has a speaker that emits tones based on your actions, described as follows:

If you hear...

three ascending tones

two descending tones

no tone

It means...

You have pushed an active button.
This is normal system operation.

There is a problem with the printer.
This tone sequence will occur every
20 seconds or so until the printer
problem is fixed.

You have pushed an inactive button.
These three buttons do not work with
directPrint:



chapter

4

troubleshooting

what if I need a longer cable?

If the cables provided with directPrint aren't long enough for you, you can add an extension cable.

The extension cable must be a 9 conductor extension cable, with a DB9 female connector on one end and a DB9 male connector on the other end. Install this cable between the printer cable and the directPrint adapter cable. The directPrint adapter must remain connected to the mimio capture bar.

what happens when I get an error on my printer?

If a printer error occurs after you have pressed the Print Board button, directPrint will wait until the printer error is fixed and then print the page.

For example, if your printer runs out of paper, you can load paper into your printer and not lose any of your data.

my printout has a lot of stray dots on it. what are they?

They are probably dots from a stylus that activated when you put the cap on.

When you are putting the cap on a stylus, make sure you don't cap it directly in front of the mimio bar.

how do I know if my printer works with directPrint?

Your printer must natively support PCL 3, Hewlett-Packard's Printer Command Language.

Refer to www.mimio.com/support for more information.

index

A

- adapter
 - description 9
 - installing 16
- audio tones, description 26

C

- capture bar, description 10

D

- directPrint
 - adapter 9
 - basic features 8
 - components 9
 - description 8
 - power supply 9
 - print controller 9

E

- eraser
 - description 11
 - using 21
- eraser holder, description 11
- erasing 21
 - after pressing Clear All 21
- Expo markers, description 10

F

- function buttons
 - Clear All 23
 - Print Page 23

I

- installing mimio components 14

L

- LED states
 - directPrint data in memory 25
 - directPrint pen writing 25
 - mimio capture bar 24

M

- markers, writing with 20

mimio

- components used with direct-Print 10
- installing 14
- mounting brackets, description 10

P

- PCL 3, definition of 8
- power supply
 - description 9
 - installing 17
- print controller
 - description 9
 - installing 15
- printing 22

S

- sound, description 26
- stylus set, description 10
- stylus, writing with 20

T

- tones, description 26
- troubleshooting 28

W

- writing 20